

LIFELIGHT SURFACE MOUNT WAREHOUSE LENS



Warehouse Optimised LED Emergency Light

The Lifelight Surface Mount Emergency Light with Warehouse Lens is optimised for longer warehouse racking aisles to significantly reduce the number of emergency lights required.

With market leading lithium battery technology and energy efficient LEDs the Lifelight delivers lower maintenance and energy costs.



Applications



Features and Benefits

- AS/NZS 2293.3 compliant
- Optimised lens for longer warehouse racking aisle applications
- Low 0.4W power consumption
- Lithium Iron Phosphate or Nanophosphate battery
- Clevertest Plus System compatible
- Available in white or black





LIFELIGHT SURFACE MOUNT WAREHOUSE LENS

ORDERING INFORMATION		LP	LP WEATHERPROOF	L10	L10 WEATHERPROOF
TEST OPTIONS / PART #	Standard - White	CLIFE-PRO-SM-WL	CLIFE-PRO-SM-WP-WL	LLIFE-PRO-SM-WL	LLIFE-PRO-SM-WP-WL
	Standard - Black	CLIFE-PRO-SM-WL-BLK	CLIFE-PRO-SM-WP-WL-BLK	LLIFE-PRO-SM-WL-BLK	LLIFE-PRO-SM-WP-WL-BLK
	Clevertest Plus System Compatible	Yes			
	DALI	CLIFE-PRO-SM-WL-DALI	CLIFE-PRO-SM-WP-WL-DALI	LLIFE-PRO-SM-WL-DALI	LLIFE-PRO-SM-WP-WL-DALI
	Zoneworks® XT Hive	CLIFE-PRO-SM-WL-HV	CLIFE-PRO-SM-WP-WL-HV	LLIFE-PRO-SM-WL-HV	LLIFE-PRO-SM-WP-WL-HV
Carton Quantity	10 Pieces				
Weight - Single	0.7kg				
Dimensions (L x W x H)	242mm x 125mm x 48mm				

POWER, LAMPS AND BATTERY		LP	LP WEATHERPROOF	L10	L10 WEATHERPROOF
Power Consumption (Standby / Max)	0.4W / 2.7W				
Lamp(s)	2 x LED				
Battery	Lithium Iron Phosphate		Lithium Nanophosphate®		
Voltage (V) / Capacity (mAh)	3.2V / 6400mAh		3.3V / 5000mAh		
Charging Method	Intelligent Current Limited Constant Voltage				

TECHNICAL SPECIFICATIONS		LP	LP WEATHERPROOF	L10	L10 WEATHERPROOF
Operating Mode	Non-Maintained				
Voltage (V) (Frequency (Hz))	240V AC (50HZ)				
Operating Temperature	1°C to 40°C	0°C to 40°C	1°C to 40°C	0°C to 40°C	
Ingress Protection Rating (IP)	IP20	IP65	IP20	IP65	

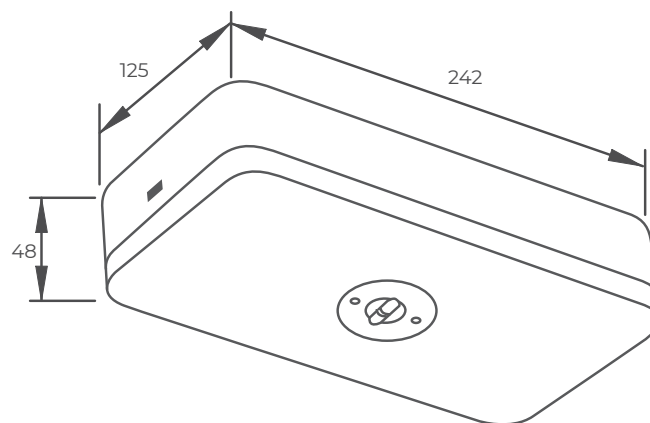
MANUFACTURER RECOMMENDED SPACING TABLE (Minimum Light Level of 0.2 Lux)
For up to 3.6m racking aisle width at various mounting heights to comply with 0.2lx min / 0.5lx avg AS/NZS 2293.1 requirements

Mounting Height (m)	2.4m	2.7m	3.0m	3.3m	3.6m	4.0m	4.5m	5.0m	6.0m	7.0m	8.0m	9.0m	10.0m	11.0m	12.0m	13.0m	14.0m	15.0m	
NUMBER OF FITTINGS																			
Single Fitting - Max Aisle Length (m)	23.0	25.5	27.5	29.5	31.5	34.1	37.1	40.1	46.1	51.1	56.0	60.2	63.5	54.5	28.4	n/a	n/a	n/a	
Two Fittings - Max Aisle Length (m)	52.0	57.1	61.5	65.8	70.1	75.6	82.1	88.5	101.0	112.0	122.7	132.2	138.8	112.9	74.0	105.5	97.2	n/a	
SPACINGS																			
Fitting to Wall (m)		11.4	12.7	13.7	14.7	15.7	17.0	18.5	20.0	23.0	25.5	28.0	30.1	31.7	27.2	14.2	35.8	39.3	n/a
Fitting to Fitting (m)		29.2	31.7	34.1	36.4	38.7	41.6	45.1	48.5	55.0	61.0	66.7	72.0	75.4	58.5	45.6	33.9	18.6	n/a

Manufacturer's recommended spacing tables are a guide only and use of these product must be supported with illuminance calculations by the "designer" for the specific building/application in accordance with AS/NZS2293.1.

Please contact Clevertronics for spacing tables on alternative aisle widths or design support if required. IES files available on request.

*Warranty information located at: <https://clevertronics.com.au/warranty-statement/>



Dimensions (mm)

clevertronics.co.nz
clevertronics.com.au

1 Caribbean Drive, Scoresby VIC 3179
P +61 3 9559 2700 F +61 3 9559 2799 E info@clevertronics.com.au

Clevertronics is committed to continuously improving its products.
All features and specifications are subject to change without prior notice.
_PRODUCT SHEETS - ANZ Lifelight Surface Mount Warehouse Lens 04OCT22

